

Tokyo Lever/Lever



Tokyo Lever/Lever

- 92mm centres
- Cast aluminium lever with cast aluminium sculptured backplate
- Supplied complete with spindle and screws (2 x M5)
- To suit door thickness 56 – 70mm

One of a complete suite of handles for use throughout a property.

Finishes:	Anodised:	F1 Silver
		F3 Gold
		F4 Bronze
	Powder coated:	Black matt
		White
	Resista® PVD:	Chrome
		Brass

(Hoppe handles with Resista® surface protection have a special protective layer applied to the base material, providing high scratch resistance, long lasting surface colour and quality, and protection from rain, ozone etc.)

Enhanced Security Handle
See page 53

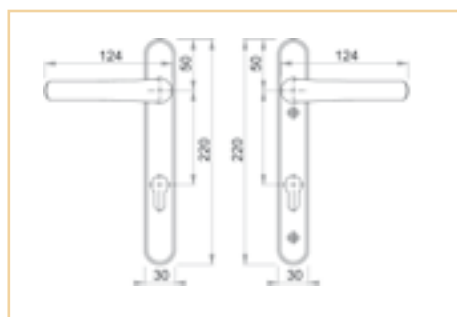


Application

The Tokyo Lever/Lever handle set is for use with most popular lever operated locking mechanisms such as the FUHR 856 series – see pages 6 – 9.

The Tokyo Lever/Fixed Pad handle can be used with key wind up locking mechanisms such as the FUHR 855 series – see pages 14 – 15.

The Tokyo Lever/Moving Pad handle set is for use with most popular “split spindle” locking mechanisms such as the FUHR 859 series – see pages 10 – 11.



Technical data:

Dimensions 220mm long,
122mm between screw centres,
30mm wide, 124mm lever length.

Description	Part No.	Box Qty
Hoppe Tokyo Lever/Lever Handle Set Black	42.3850.15.920	6
Hoppe Tokyo Lever/Lever Handle Set White	42.3850.30.920	6
Hoppe Tokyo Lever/Lever Handle Set F1 Silver	42.3850.61.920	6
Hoppe Tokyo Lever/Lever Handle Set F3 Gold	42.3850.63.920	6
Hoppe Tokyo Lever/Lever Handle Set Chrome	42.3850.69.920	6
Hoppe Tokyo Lever/Lever Handle Set F4 Bronze	42.3850.72.920	6
Hoppe Tokyo Lever/Lever Handle Set Brass	42.3850.81.920	6