

Enhanced Security Handle Tokyo Lever/Lever



Enhanced Security Handle Tokyo Lever/Lever

- Secured by Design
- Solid and reinforced backplates
- Exceeded manual attack (3 minute) test
- Supplied complete with spindle and screws (2 x M6 for extra strength)
- Tested to PAS 24
- 92mm centres
- Integral cylinder guard

The Tokyo enhanced security handle is possibly the most secure handle available today. Even well after withstanding the 3 minute test, the handle could not be removed from the door. The actual damage to the handle was minimal, clear evidence of its strength and security. Protects the cylinder from attack.

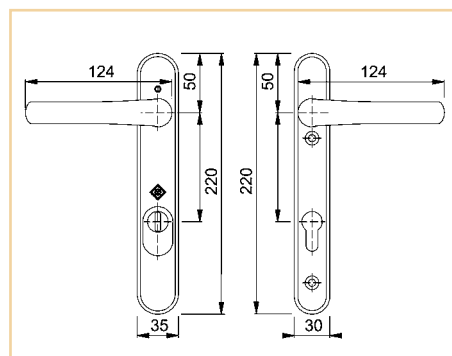
Application. The Tokyo enhanced security Lever/Lever handle is designed for use with most popular lever operated locking mechanisms such as FUHR 856 range – see pages 6 – 9.

Finishes:

Anodised:	F1 Silver
	F3 Gold
Powder coated:	Black matt
	White
Resista® PVD:	Chrome
	Brass



Description	Part No.	Box Qty
Hoppe Tokyo Security Lever/Lever Handle Set 92mm Black PAS24	42.3885.15.920	1
Hoppe Tokyo Security Lever/Lever Handle Set 92mm White PAS24	42.3885.30.920	1
Hoppe Tokyo Security Lever/Lever Handle Set 92mm F1 Silver PAS24	42.3885.61.920	1
Hoppe Tokyo Security Lever/Lever Handle Set 92mm F3 Gold PAS24	42.3885.63.920	1
Hoppe Tokyo Security Lever/Lever Handle Set 92mm Chrome PAS24	42.3885.69.920	1
Hoppe Tokyo Security Lever/Lever Handle Set 92mm Brass PAS24	42.3885.81.920	1



PAS24



Technical data:

Dimensions 220mm long,
122mm between screw
centres, 30mm wide,
124mm lever length.