

Simonswerk 3-D Hinges



- Tested to PAS 24 requirements
- High pull out strength – special screws included
- Maintenance free – abrasion resistant bearings
- Extensive single handed adjustment – even when the door is closed
- No packers required

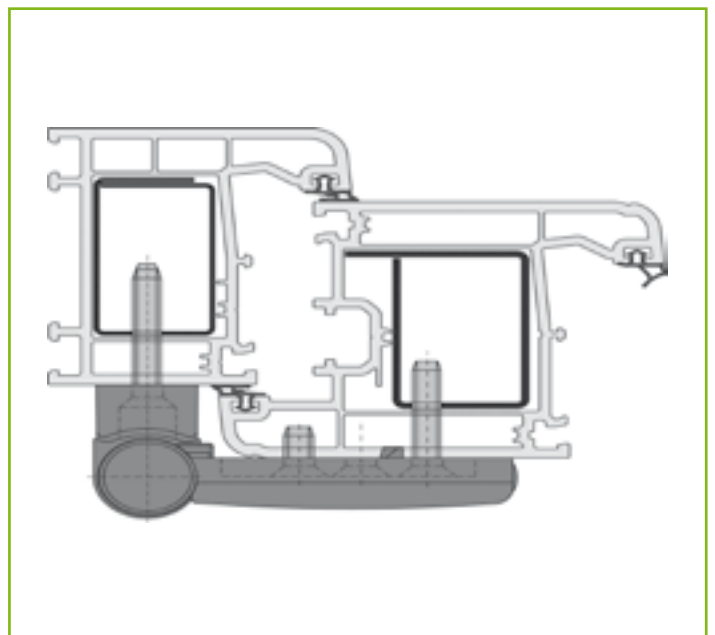
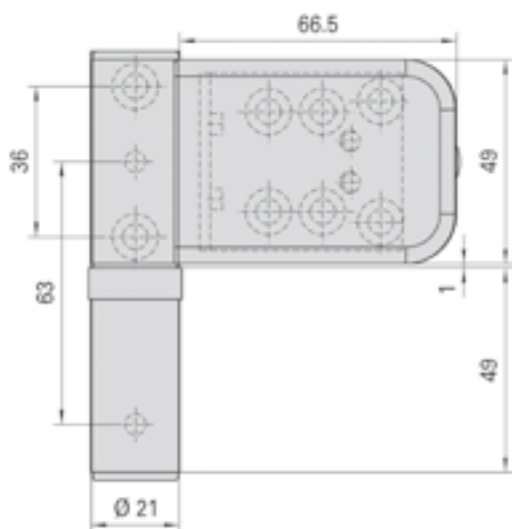
The Simonswerk 3D hinge comes with a security pin as standard, preventing the sash from being lifted off, crucial for outward opening doors.

Adjustment details:

Height + 5mm – 1mm

Lateral + / – 5mm

Compression + / – 2mm



White
To suit square edged profiles

	<i>To suit Upstand</i>	<i>Part number</i>	<i>Box Qty</i>
K4040 Siku 3D Hinge	15 – 19mm	42.7300.30.040	12
K4140 Siku 3D Hinge	18 – 22mm	42.7300.30.140	12
K4240 Siku 3D Hinge	21 – 25mm	42.7300.30.240	12
K4340 Siku 3D Hinge	24 – 28mm	42.7300.30.340	12

To suit chamfered edged profiles

K4045 Siku 3D Flat Hinge	15 – 19mm	42.7300.30.045	12
K4145 Siku 3D Flat Hinge	18 – 22mm	42.7300.30.145	12
K4245 Siku 3D Flat Hinge	21 – 25mm	42.7300.30.245	12
K4345 Siku 3D Flat Hinge	24 – 28mm	42.7300.30.345	12

Brown
To suit square edged profiles

K4040 Siku 3D Hinge	15 – 19mm	42.7300.32.040	12
K4140 Siku 3D Hinge	18 – 22mm	42.7300.32.140	12
K4240 Siku 3D Hinge	21 – 25mm	42.7300.32.240	12
K4340 Siku 3D Hinge	24 – 28mm	42.7300.32.340	12

To suit chamfered edged profiles

K4045 Siku 3D Flat Hinge	15 – 19mm	42.7300.32.045	12
K4145 Siku 3D Flat Hinge	18 – 22mm	42.7300.32.145	12
K4245 Siku 3D Flat Hinge	21 – 25mm	42.7300.32.245	12
K4345 Siku 3D Flat Hinge	24 – 28mm	42.7300.32.345	12

Gold
To suit square edged profiles

K4040 Siku 3D Hinge	15 – 19mm	42.7300.81.040	12
K4140 Siku 3D Hinge	18 – 22mm	42.7300.81.140	12
K4240 Siku 3D Hinge	21 – 25mm	42.7300.81.240	12
K4340 Siku 3D Hinge	24 – 28mm	42.7300.81.340	12

To suit chamfered edged profiles

K4045 Siku 3D Flat Hinge	15 – 19mm	42.7300.81.045	12
K4145 Siku 3D Flat Hinge	18 – 22mm	42.7300.81.145	12
K4245 Siku 3D Flat Hinge	21 – 25mm	42.7300.81.245	12
K4345 Siku 3D Flat Hinge	24 – 28mm	42.7300.81.345	12

K2000 3D Series Hinge Adjustment Tool	42.7300.00.003	1
Single Hinge Fixing Jig	42.7300.00.000	1

Multi Jig for simultaneously setting and fixing 3 hinges available on request. Refer to sales office for the correct hinge to suit your profile

For Cylinders
See pages 61 – 64



Door Knockers
See pages 96 – 98

