

Designer Range Rodos Lever/Lever



Rodos Lever/Lever

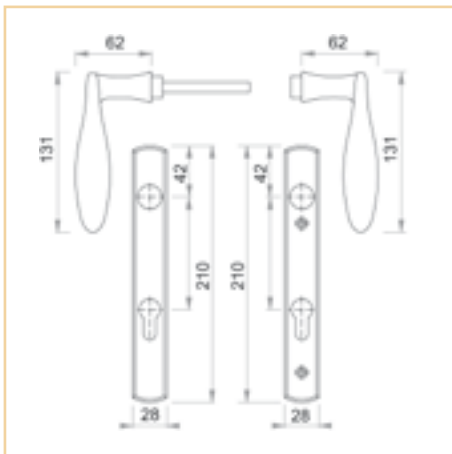
- 92mm centres
- Solid brass handles
- Supplied complete with spindle and screws (2 x M5)
- To suit door thickness 55 – 74mm

The levers are supplied separately, and can be attached with the grub screw provided.

Finishes: Polished Brass
Polished Chrome

Application

The Rodos Lever/Lever handle set is for use with most popular Lever/Lever locking mechanisms such as the FUHR 856 series – see page 6 – 9.



Technical data:

Dimensions 210mm long,
122mm between screw centres,
28mm wide, lever length 131mm
and 62mm lever height.

Description	Part No.	Box Qty
Hoppe Rodos Designer Lever Polished Chrome	42.3890.61.603	1
Hoppe Rodos Designer Lever Polished Brass	42.3890.63.603	1

