

Designer Range Phoenix Lever/Lever



Phoenix Lever/Lever

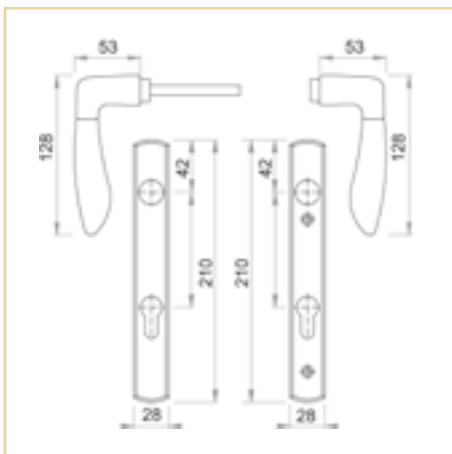
- 92mm centres
- Solid Brass Handles
- Supplied complete with spindle and screws (2 x M5)
- To suit door thickness 55 – 74mm

The levers are supplied separately, and can be attached with the grub screw provided.

Finishes: Polished Brass/Brushed Brass
Polished Chrome/Matt Chrome

Application

The Phoenix Lever/Lever handle set is for use with most popular Lever/Lever locking mechanisms such as the FUHR 856 series – see pages 6 – 9.



Description	Part No.	Box Qty
Hoppe Phoenix Designer Lever Polished Chrome/Matt Chrome	42.3890.61.640	1
Hoppe Phoenix Designer Lever Polished Brass/Brushed Brass	42.3890.63.640	1

Technical data:

Dimensions 210mm long,
122mm between screw centres,
28mm wide, lever length 128mm
and 53mm lever height.



Polished Brass/
Brushed Brass



Polished Chrome/
Matt Chrome