

# Paris Lever/Lever



## Paris Extended Lever/Lever

- 92mm centres
- Cast aluminium with a stainless steel back plate for additional security
- Extra long levers for even easier operation.
- Supplied complete with spindle and screws (2 x M5)
- To suit door thickness 56 – 70mm

### Application

The extra long levers (40% longer) in the Paris range comply to DDA (Disability Discrimination Act) regulations. Paris handle sets can be used with most popular lever/lever locking mechanisms such as the FUHR 856 series – see pages 6 – 9.

**Finishes:** Anodised: F1 Silver  
F3 Gold  
Powder coated: Black matt  
White



F1 Silver



F3 Gold



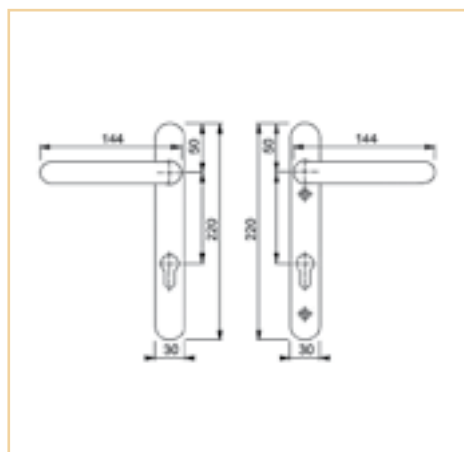
Black matt



White

### Description

Description	Part No.	Box Qty
Hoppe Paris Lever/Lever Extended Handle Set Black	42.3840.15.920	2
Hoppe Paris Lever/Lever Extended Handle Set White	42.3840.30.920	2
Hoppe Paris Lever/Lever Extended Handle Set F1 Silver	42.3840.61.920	2
Hoppe Paris Lever/Lever Extended Handle Set F3 Gold	42.3840.63.920	2



### Technical data:

Dimensions 220mm long, 122mm between screw centres, 30mm wide, 144mm lever length.

Additional Deadbolt  
See page 16

