

Palermo Lever/Moving Pad



Palermo Lever/Moving Pad

- Cast aluminium backplate
- Supplied complete with spindle and screws (2 x M5)
- To suit door thickness 60 – 70mm

Finishes: Anodised: F1 Silver
F3 Gold
Powder coated: Black matt
White

Application

The Palermo Lever/Moving Pad handle set is for use with most popular split spindle locking mechanisms such as the FUHR 859 series – see pages 10 – 11.

Description	Part No.	Box Qty
Hoppe Palermo Lever/Moving Pad Handle Set Black	42.3950.15.921	6
Hoppe Palermo Lever/Moving Pad Handle Set White	42.3950.30.921	6
Hoppe Palermo Lever/Moving Pad Handle Set F1 Silver	42.3950.61.921	6
Hoppe Palermo Lever/Moving Pad Handle Set F3 Gold	42.3950.63.921	6



F1 Silver



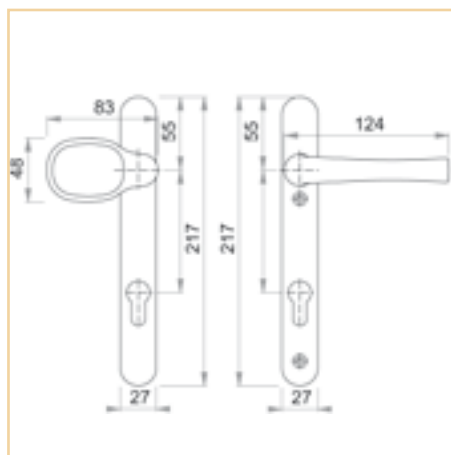
F3 Gold



Black matt



White



Technical data:

Dimensions 217mm long, 122mm between screw centres, 27mm wide, lever length 124mm x 52mm high, pad length 83 x 54mm high.

Door Security Add-ons
See pages 87 – 89

