

# Palermo Lever/Lever



## Palermo Lever/Lever

- Cast aluminium backplate
- Supplied complete with spindle and screws (2 x M5)
- To suit door thickness 60 – 70mm

**Finishes:** Anodised: F1 Silver  
F3 Gold  
Powder coated: Black matt  
White

### Application

The Palermo Lever/Lever handle set is for use with most popular Lever/Lever locking mechanisms such as the FUHR 856 series – see pages 6 – 9.



F1 Silver



F3 Gold

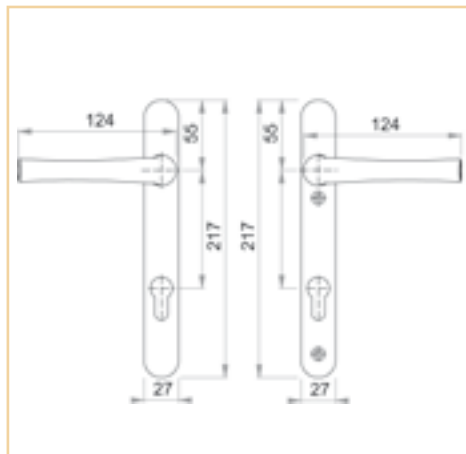


Black matt



White

Description	Part No.	Box Qty
Hoppe Palermo Lever/Lever Handle Set Black	42.3900.15.920	30
Hoppe Palermo Lever/Lever Handle Set White	42.3900.30.920	30
Hoppe Palermo Lever/Lever Handle Set F1 Silver	42.3900.61.920	30
Hoppe Palermo Lever/Lever Handle Set F3 Gold	42.3900.63.920	30



### Technical data:

Dimensions 217mm long,  
122mm between screw centres,  
27mm wide, lever length 124mm.

Door Knockers  
See pages 96 – 98

