

Oxford Series Lever/Lever



Oxford Series Lever/Lever

- 92mm centres
- Cast aluminium with a stainless steel backplate for additional security
- Handed by design
- Supplied complete with spindle and screws (2 x M5)
- To suit door thickness 56 – 70mm

Application

The stylish Oxford series handles are unsprung levers, and by design are handed left or right.

Finishes: Anodised: F1 Silver
 F3 Gold
 Powder coated: Black matt
 White



Black matt



White



F1 Silver



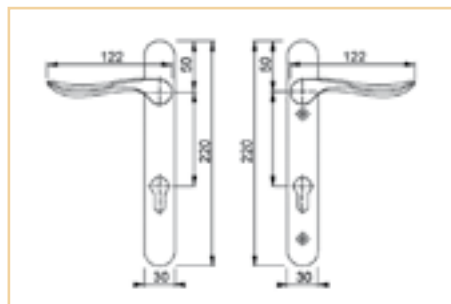
F3 Gold

Description

Description	Part No.	Box Qty
Hoppe Oxford Lever/Lever Handle L/H 92mm Black	42.3951.15.920	25
Hoppe Oxford Lever/Lever Handle L/H 92mm White	42.3951.30.920	25
Hoppe Oxford Lever/Lever Handle L/H 92mm Silver	42.3951.61.920	25
Hoppe Oxford Lever/Lever Handle L/H 92mm Gold	42.3951.63.920	25

Description

Description	Part No.	Box Qty
Hoppe Oxford Lever/Lever Handle R/H 92mm Black	42.3952.15.920	25
Hoppe Oxford Lever/Lever Handle R/H 92mm White	42.3952.30.920	25
Hoppe Oxford Lever/Lever Handle R/H 92mm Silver	42.3952.61.920	25
Hoppe Oxford Lever/Lever Handle R/H 92mm Gold	42.3952.63.920	25



Technical data:

Dimensions 220mm long, 122mm between screw centres, 30mm wide, 122mm lever length and 66mm lever height.

Doorbolts Section
 See pages 6 – 42

