

Mini Flag Hinge



White



Brown



Tan



Gold

- 3-D adjustment
- 240 hours salt spray test
- Over 100,000 operations completed in cycle test
- Suits leading profiles
- Suitable for open-in or open-out doors

The Carl F Mini Flag Hinge comes with self-locating packers, to suit profile upstands of 13 to 28mm, including both flat and bevelled edged profiles.

Suitable for open-in or open-out doors. The faceplate is secured from within and can only be accessed when the door is open.

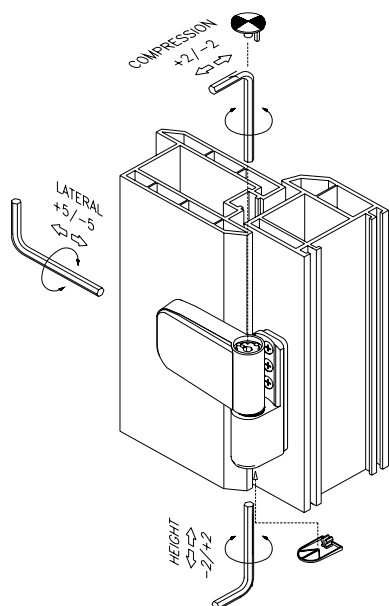
Available in 4 finishes

Adjustment details:

Height + / - 2mm

Horizontal + / - 2mm

Compression + / - 2mm



Description	Part Number	Box Qty
Mini Flag Hinge White	42.7600.30.721	60
Mini Flag Hinge Brown	42.7600.32.721	60
Mini Flag Hinge Tan	42.7600.34.721	60
Mini Flag Hinge Gold	42.7600.81.721	60

3D Mini Flag Hinge Packer 9mm White	42.7600.30.100	20
3D Mini Flag Hinge Packer 9mm Brown	42.7600.32.100	20

Doorbolts Section
See pages 6 – 42

