

# Lille Lever/Moving Pad



## Lille Lever/Moving Pad

The Lever/Moving Pad, without springs, are fixed to the backplate and by design are fully reversible. Fixing lugs are supplied on both backplates for a more secure fit.

- 92mm centres
- Cast aluminium backplate
- Supplied complete with spindle and screws (2 x M5)
- To suit door thickness 60 – 70mm

**Finishes:** Anodised: F1 Silver  
F3 Gold  
Powder coated: Black matt  
White

### Application

The moving pad option will suit "split spindle" locks, such as the FUHR 859 series – see pages 10 – 11.



F1 Silver



F3 Gold



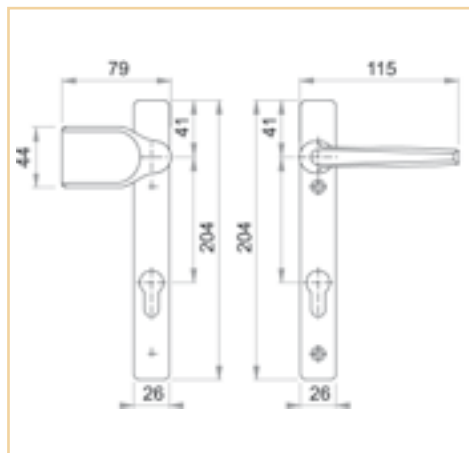
Black matt



White

### Description

Description	Part No.	Box Qty
Hoppe Lille Lever/Moving Pad Handle Set 92mm Black	42.3700.15.921	10
Hoppe Lille Lever/Moving Pad Handle Set 92mm White	42.3700.30.921	10
Hoppe Lille Lever/Moving Pad Handle Set 92mm F1 Silver	42.3700.61.921	10
Hoppe Lille Lever/Moving Pad Handle Set 92mm F3 Gold	42.3700.63.921	10



### Technical data:

204mm long, 122 between screw centres, 26mm wide, 155mm lever length, 79mm pad length.

For Cylinders  
See pages 61 – 64

