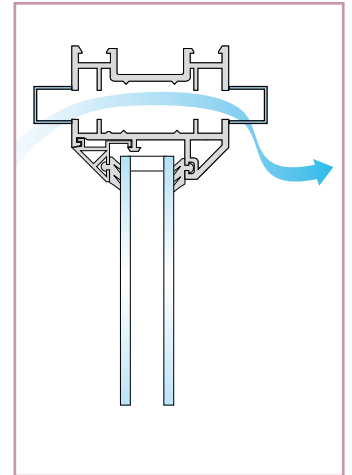


Slotvent 1250FBC & 2500FBC



- Bottom operated
- Clip fit operation
- Meets Part F requirement for new build windows 2006
- Meets EN 13141-1: 2004 Ventilation for buildings



Specially designed to meet the Part F requirements, which came into effect on the 1st October 2006. This vent achieves optimal equivalent area performance with minimal visual impact. These new regulations stipulate that any new build windows are required to abide by the Part F regulations.

Replacement windows should always provide at least the ventilation provided by the window being replaced. It is strongly recommended that all replacement windows incorporate some ventilation.

The new clip fit operation helps reduce installation and production time.



Description	Part No	Equivalent Area (mm ²)	Colour	Box Qty	
Clip Fit	1250FBC	49.6020.30.125	1250	White	50
		49.6020.32.125	1250	Brown	50
		49.6020.34.125	1250	Tan	50
2500FBC		49.6020.30.250	2500	White	50
		49.6020.32.250	2500	Brown	50
		49.6020.34.250	2500	Tan	50

Description	Part No	Equivalent Area (mm ²)	Colour	Box Qty	
Screw Fit	1250FBW	49.7020.30.125	1250	White	50
		49.7020.32.125	1250	Brown	50
		49.7020.34.125	1250	Tan	50
2500FBB		49.7020.30.250	2500	White	50
		49.7020.32.250	2500	Brown	50
		49.7020.34.250	2500	Tan	50

