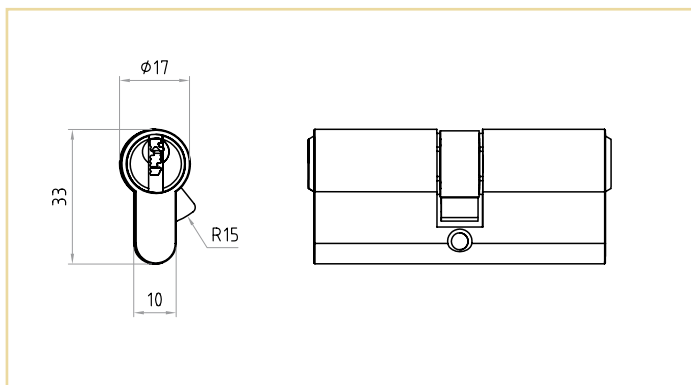


Profile Cylinders

CES Free Movement Cylinders



- Free movement cam
- Emergency function – the key operates even with a key in the opposite end

“Free movement” is a critical feature when using emergency exit hardware. If the door is to comply with EN1125, a CES “Free movement” cylinder must be used in conjunction with the FUHR 870 range of exit hardware and 881 Multitronic range – see pages 20 – 21.

Doorbolts Section
See pages 6 – 42



Door Knockers
See pages 96 – 98



Door Security Add-ons
See pages 87 – 89



Description

Part No. Box Qty

Description	Part No.	Box Qty
CES Free Movement Cylinder 40/40 Nickel	42.2040.74.400	10
CES Free Movement Cylinder 45/45 Nickel (90mm)	42.2045.74.450	10
CES Free Movement Cylinder 40/50 Nickel (90mm)	42.2040.74.500	10
CES Cylinder Spare Key Blank	42.2000.00.000	10
CES Knob Cylinder K50/40 Nickel	42.1950.74.400	10
CES Knob Cylinder K55.5/45.5 Nickel	42.1955.74.450	10
CES Half Knob Cylinder 60mm Nickel	42.1900.74.500	10
CES Free Movement Half Cylinder 50mm Nickel	42.2050.74.000	10

Emergency Exit Hardware
See pages 79 – 86

