

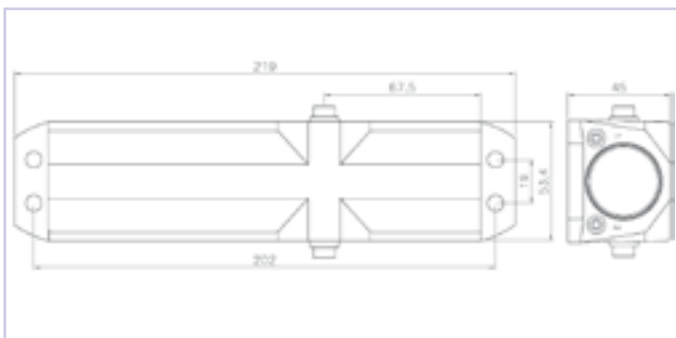
ARRONE® AR6900

ARRONE®
The Complete Range



- Conforms to BS EN1154:1997 (standard door closer requirements)
- BS EN1634 fire test
- Suitable for use on doors 950mm and 60kg maximum weight
- Universal application
- Adjustable closing speed/latch operation
- 10 year guarantee

Description	Part Number	Box Qty
AR6900 Polished Brass	99.6900.28.100	1
AR6900 White	99.6900.30.100	1
AR6900 Chrome	99.6900.61.100	1
AR6900 Satin Silver	99.6900.65.100	1
AR6900 Polished Silver	99.6900.74.100	1
AR6900 Gold	99.6900.81.100	1



Successfully tested to European performance and fire safety standards, the ARRONE® AR6900 series combines style and elegance, coupled with an exacting performance.

This designer unit is used in light frequency commercial applications, especially fire doors where performance and reliability is essential. The ARRONE® AR6900 is suitable for 30 minute, 1 hour and 2 hour fire doors (BS EN1634).