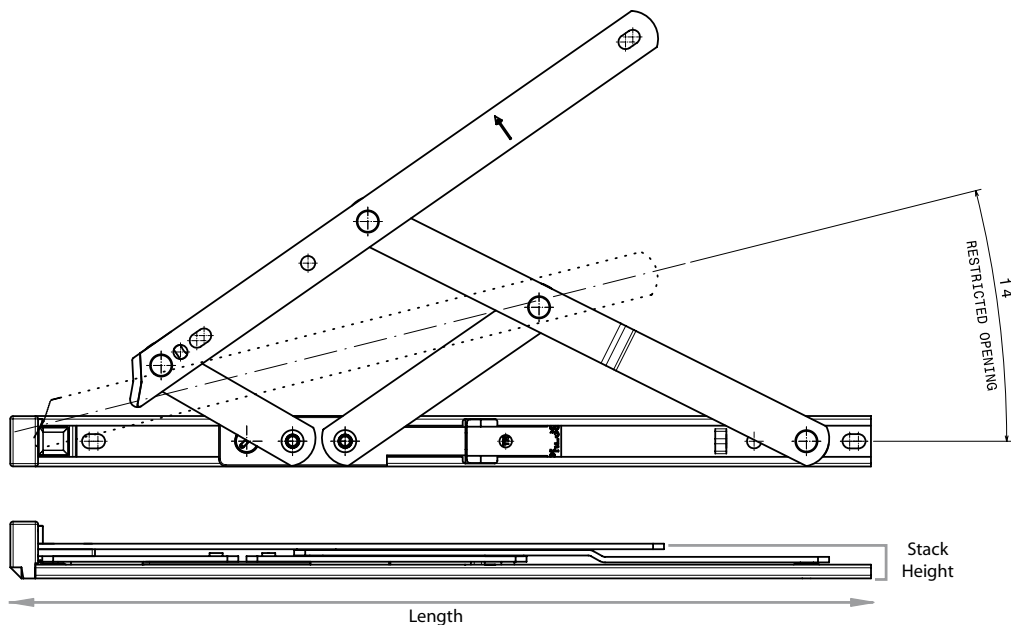


Defender Restrictor



The Defender with built in restrictor combines two essential safety features in one mechanism – a child resistant button to limit window opening to 100mm – and a quick release function, allowing the window to be fully opened, for easy cleaning or total ventilation. Please note only one restrictor stay is required per window.

Performs to BS7950 and Secured by Design when used in conjunction with Vector Excluder see page 152.



- Secured by Design
- GGF approved
- Tested to BS6375 – Part 2
- Integral child proof mechanism
- Built-in quick release restrictor
- Automatically resets when window is closed
- BBA assessed



Description	Part No.	Unit	Box Qty
Defender Restrictor			
EDTR12 12" Top Hung 13mm	45.1060.00.012	Pair	25
EDTR16 16" Top Hung 13mm	45.1060.00.016	Pair	25
EDTR20 20" Top Hung 13mm	45.1060.00.020	Pair	25
EDTR24 24" Top Hung 13mm	45.1060.00.024	Pair	25
EDSR12L 12" Side Hung 13mm L/H	45.1060.01.012	Each	50
EDSR16L 16" Side Hung 13mm L/H	45.1060.01.016	Each	50
EDSR12R 12" Side Hung 13mm R/H	45.1060.02.012	Each	50
EDSR16R 16" Side Hung 13mm R/H	45.1060.02.016	Each	50

Description	Part No.	Unit	Box Qty
Defender Highline Restrictor			
EDTR12H6 12" Top Hung 16mm	45.1061.00.012	Pair	25
EDTR16H6 16" Top Hung 16mm	45.1061.00.016	Pair	25
EDTR20H6 20" Top Hung 16mm	45.1061.00.020	Pair	25
EDTR24H6 24" Top Hung 16mm	45.1061.00.024	Pair	25
EDSR12H6L 12" Side Hung 16mm L/H	45.1061.01.012	Each	50
EDSR16H6L 16" Side Hung 16mm L/H	45.1061.01.016	Each	50
EDSR12H6R 12" Side Hung 16mm R/H	45.1061.02.012	Each	50
EDSR16H6R 16" Side Hung 16mm R/H	45.1061.02.016	Each	50

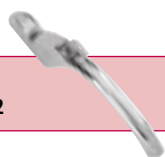
Description	Part No.	Unit	Box Qty
Defender Highline Restrictor			
EDTR12H7 12" Top Hung 17mm	45.1065.00.012	Pair	25
EDTR16H7 16" Top Hung 17mm	45.1065.00.016	Pair	25
EDTR20H7 20" Top Hung 17mm	45.1065.00.020	Pair	25
EDTR24H7 24" Top Hung 17mm	45.1065.00.024	Pair	25
EDSR12H7L 12" Side Hung 17mm L/H	45.1060.03.012	Each	50
EDSR16H7L 16" Side Hung 17mm L/H	45.1060.03.016	Each	50
EDSR12H7R 12" Side Hung 17mm R/H	45.1060.04.012	Each	50
EDSR16H7R 16" Side Hung 17mm R/H	45.1060.04.016	Each	50

Description	Part No.	Unit	Box Qty
Defender Restrictor Austenitic			
EDTR12A 12" Top Hung 13mm	45.1800.00.012	Pair	25
EDTR16A 16" Top Hung 13mm	45.1800.00.016	Pair	25
EDTR20A 20" Top Hung 13mm	45.1800.00.020	Pair	25
EDTR24A 24" Top Hung 13mm	45.1800.00.024	Pair	25
EDSR12AL 12" Side Hung 13mm L/H	45.1800.01.012	Each	50
EDSR16AL 16" Side Hung 13mm L/H	45.1800.01.016	Each	50
EDSR12AR 12" Side Hung 13mm R/H	45.1800.02.012	Each	50
EDSR16AR 16" Side Hung 13mm R/H	45.1800.02.016	Each	50

Description	Part No.	Unit	Box Qty
Defender Highline Restrictor Austenitic			
EDTR12H6A 12" Top Hung 16mm	45.1062.00.012	Pair	25
EDTR16H6A 16" Top Hung 16mm	45.1062.00.016	Pair	25
EDTR20H6A 20" Top Hung 16mm	45.1062.00.020	Pair	25
EDTR24H6A 24" Top Hung 16mm	45.1062.00.024	Pair	25
EDSR12H6AL 12" Side Hung 16mm L/H	45.1062.01.012	Each	50
EDSR16H6AL 16" Side Hung 16mm L/H	45.1062.01.016	Each	50
EDSR12H6AR 12" Side Hung 16mm R/H	45.1062.02.012	Each	50
EDSR16H6AR 16" Side Hung 16mm R/H	45.1062.02.016	Each	50

Description	Part No.	Unit	Box Qty
Defender Highline Restrictor Austenitic			
EDTR12H7A 12" Top Hung 17mm	45.1036.00.012	Pair	25
EDTR16H7A 16" Top Hung 17mm	45.1850.00.016	Pair	25
EDTR20H7A 20" Top Hung 17mm	45.1850.00.020	Pair	25
EDTR24H7A 24" Top Hung 17mm	45.1850.00.024	Pair	25
EDSR12H7AL 12" Side Hung 17mm L/H	45.1850.01.012	Each	50
EDSR16H7AL 16" Side Hung 17mm L/H	45.1850.01.016	Each	50
EDSR12H7AR 12" Side Hung 17mm R/H	45.1850.02.012	Each	50
EDSR16H7AR 16" Side Hung 17mm R/H	45.1850.02.016	Each	50

Window Handles
See pages 115 – 122



Trident Window Lock
See pages 104 – 105

