

Designer Range Bergen Lever/Lever



Bergen Lever/Lever

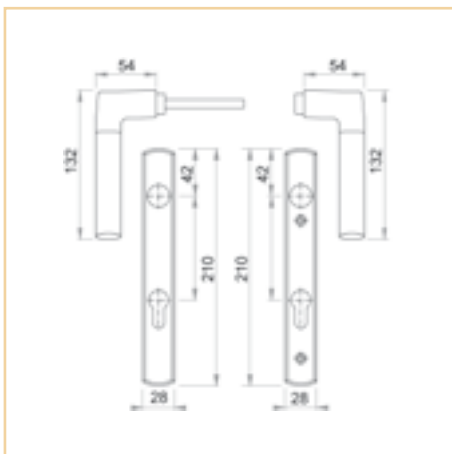
- 92mm centres
- Supplied complete with spindle and screws (2 x M5)
- To suit door thickness 55 – 74mm

The levers are supplied separately, and can be attached with the grub screw provided.

Finishes: Polished Brass/Brushed Brass
Polished Chrome/Aluminium Steel

Application

The Bergen Lever/Lever handle set is for use with most popular Lever/Lever locking mechanisms such as the FUHR 856 series – see pages 6 – 9.



Description	Part No.	Box Qty
Hoppe Bergen Designer Lever Polished Chrome/Aluminium Steel	42.3890.61.602	1
Hoppe Bergen Designer Lever Polished Brass/Brushed Brass	42.3890.63.602	1



Polished Brass/
Brushed Brass



Polished Chrome/
Aluminium Steel

Technical data:

Dimensions 210mm long,
122mm between screw centres,
28mm wide, lever length 132mm
and 54mm lever height.