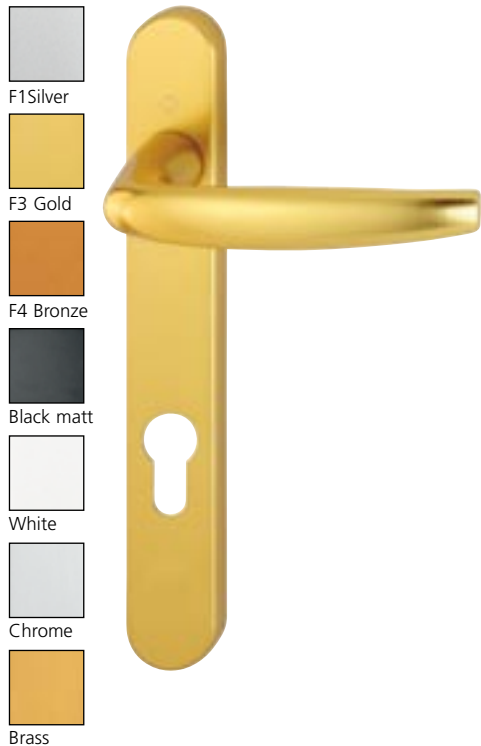


Atlanta Lever/Lever



Atlanta Lever/Lever

- 92mm centres
- Cast aluminium levers with a pressed steel backplate and stainless steel under-construction
- Levers, without springs, are fixed to the backplate and, by design, are fully reversible
- Fixing lugs are supplied on both backplates for a more secure fit
- Supplied complete with spindle and screws (2 x M5)
- To suit door thickness 56 – 70mm

Finishes:	Anodised:	F1 Silver
		F3 Gold
		F4 Bronze
	Powder coated:	Black matt
		White
	Resista® PVD:	Chrome
		Brass

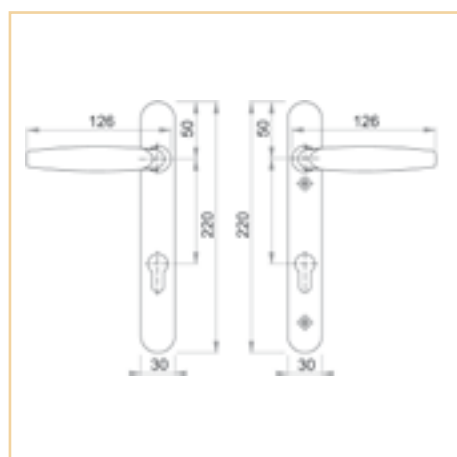
(Hoppe handles with Resista® surface protection have a special protective layer applied to the base material, providing high scratch resistance, long lasting surface colour and quality and protection from rain, ozone etc.)

Application

The Atlanta Lever/Lever handle set is for use with most popular Lever/Lever locking mechanisms such as the FUHR 856 series – see pages 6 – 9.

The Atlanta Lever/Fixed Pad handle can be used with key wind up locking mechanisms such as the FUHR 855 series – see pages 14 – 15.

The Atlanta Lever/Moving Pad handle set is for use with most popular “split spindle” locking mechanisms such as the FUHR 859 series – see pages 10 – 11.



Technical data:

Dimensions: 220mm long,
122mm between screw centres,
30mm wide, 126mm lever length.

Description	Part No.	Box Qty
Hoppe Atlanta Lever/Lever Handle Set Black	42.3400.15.920	6
Hoppe Atlanta Lever/Lever Handle Set White	42.3400.30.920	6
Hoppe Atlanta Lever/Lever Handle Set F1 Silver	42.3400.61.920	6
Hoppe Atlanta Lever/Lever Handle Set F3 Gold	42.3400.63.920	6
Hoppe Atlanta Lever/Lever Handle Set F4 Bronze	42.3400.72.920	6
Hoppe Atlanta Lever/Lever Handle Set Chrome	42.3400.74.920	6
Hoppe Atlanta Lever/Lever Handle Set Brass	42.3400.81.920	6