

Designer Range Athinai Lever/Lever



Athinai Lever/Lever

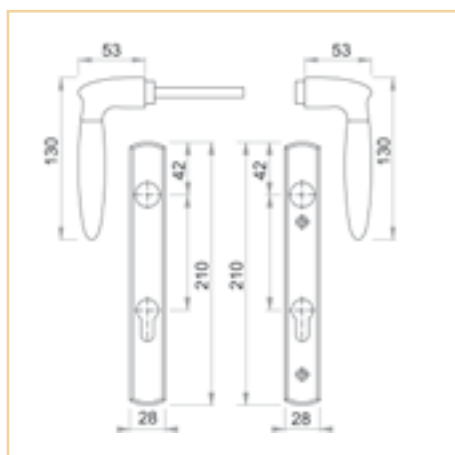
- 92mm centres
- Supplied complete with spindle and screws (2 x M5)
- To suit door thickness 55 – 74mm

The levers are supplied separately, are non-handed and can be attached with the grub screw provided.

Finishes: Polished Brass/Polished Chrome
Polished Chrome/Brushed Stainless Steel

Application

The Athinai Lever/Lever handle set is for use with most popular Lever/Lever locking mechanisms such as the FUHR 856 series – see page 6 – 9.



Description	Part No.	Box Qty
Hoppe Athinai Designer Lever Polished Chrome/Brushed Stainless Steel	42.3890.61.156	1
Hoppe Athinai Designer Lever Polished Brass/Polished Chrome	42.3890.63.156	1



Polished Chrome/
Brushed Stainless Steel



Polished Brass/
Polished Chrome

Technical data:

Dimensions 210mm long,
122mm between screw centres,
28mm wide, lever length 130mm
and 53mm lever height.