

FUHR Door Locks

Single Hinged Residential Doors

859 – Split Spindle Operated

Type 3



Type 17



Type 19



The FUHR unique split spindle allows the same lock to be used for both front and back door applications. Use the colour coded and sprung spindle set on the front doors to prevent the door from being opened from the outside without the key. Use a solid spindle for normal lever/lever operation for the back door.

The 859 series features a snib, which acts as a latch retention clip, to prevent the door from locking.

859

Additional shoot bolt locking is available for the 859 Type 17 and 19

Technical data:

Faceplate:	16mm x 3mm
Backset:	35mm
PZ centres:	92mm
Spindle size:	8mm
Clearance required behind backset:	18mm
Throw:	
Deadbolt:	20mm
Hook bolt:	20mm

Backset options: 30, 35 and 45mm

Description	Part No.	Box Qty
FUHR 859 Type 3		
2 Hooks, 2 Rollers, Latch & Deadbolt	42.3859.92.353	5
FUHR 859 Type 17		
2 Hooks, 4 Rollers, Latch & Deadbolt	42.3859.92.357	5
FUHR 859 Type 19		
2 Hooks, 4 Rollers, Latch & Deadbolt	42.3859.92.359	5
FUHR MV150		
Reverse Action Top Shoot Bolt 150mm	42.3500.93.150	50
FUHR MV15018		
Bottom Shoot Bolt Extension 150mm	42.3500.93.153	50



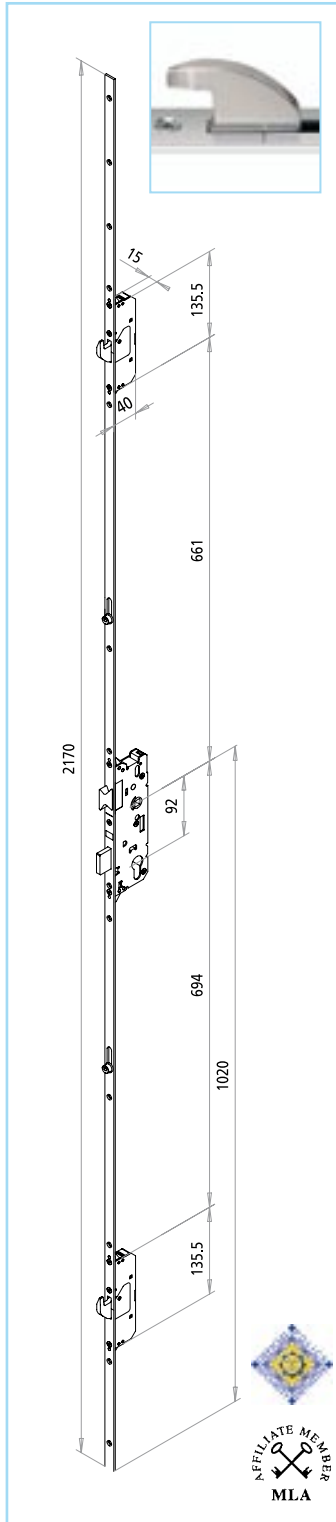
10 Year Guarantee



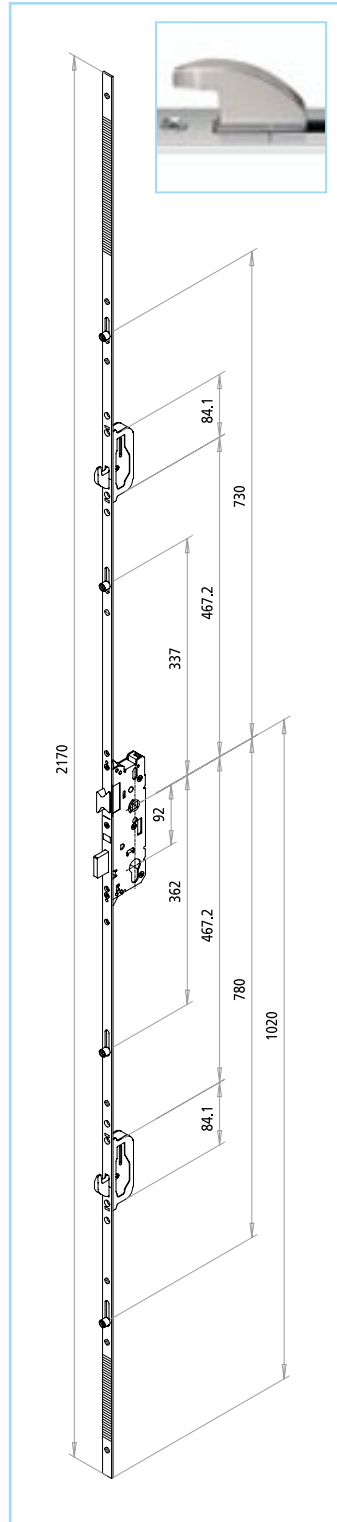
- Secured by Design
- MLA approved
- Shoot bolt options
- Optional latch retention
- Lever moving pad
- “FUHR Silver” protective finish
- Added security for the front door
- Split spindle operation prevents opening from outside without a key



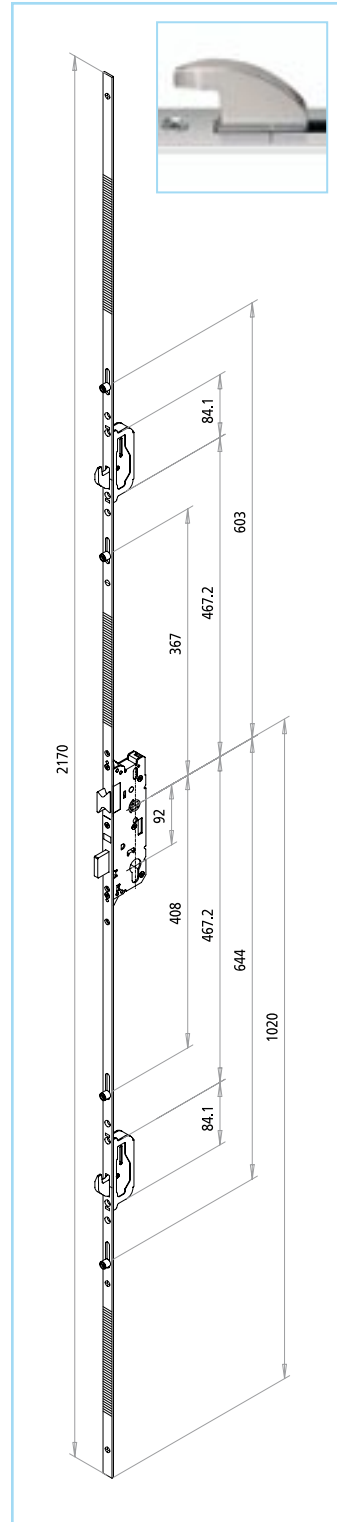
Type 3



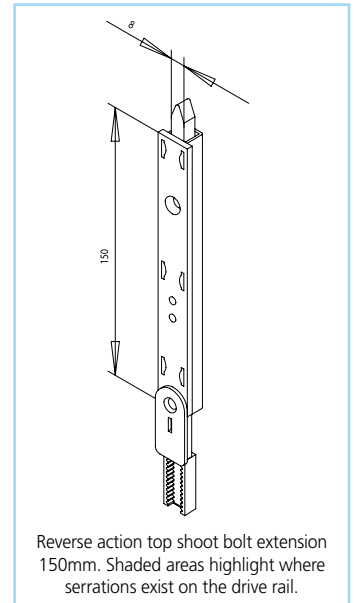
Type 17



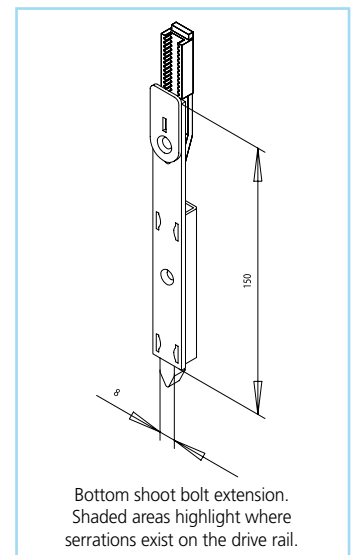
Type 19



FUHR MV150



FUHR MV15018



Split Spindle

