

FUHR Door Locks

Single Hinged Residential Doors

855 – Key Operated



Key operated locking systems offer the convenience of an element of immediate security in that a key is always needed to operate the lock from the outside, including the latch. Full security is however only achieved after the key has been turned fully 2+ times to activate the various locking points. (Pre-programmed roller cam travel ensures smooth engagement of all locking points)

855

Technical data:

Faceplate:	16mm x 3mm
Backset:	35mm
PZ centres:	92mm
Spindle size:	8mm
Clearance required behind backset:	18mm

Throw:

Deadbolt:	20mm
Hook bolt:	20mm
*Round bolt:	20mm

Backset options: 25, 30, 35 and 45mm
 *15mm on 30mm backset

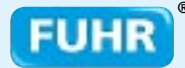
Description	Part Number	Box Qty
FUHR 855 Type 3		
2 Hooks, 2 Rollers, Latch & Deadbolt	42.3855.92.353	5
FUHR 855 Type 1		
4 Roller Cams, Latch & Deadbolt	42.3855.92.351	5
FUHR 855 Type 2		
2 Rollers, 2 Mushrooms, Latch & Deadbolt	42.3855.92.352	5
FUHR 855 Type 8		
2 Round Bolts, 2 Rollers, Latch & Deadbolt	42.3855.92.358	5



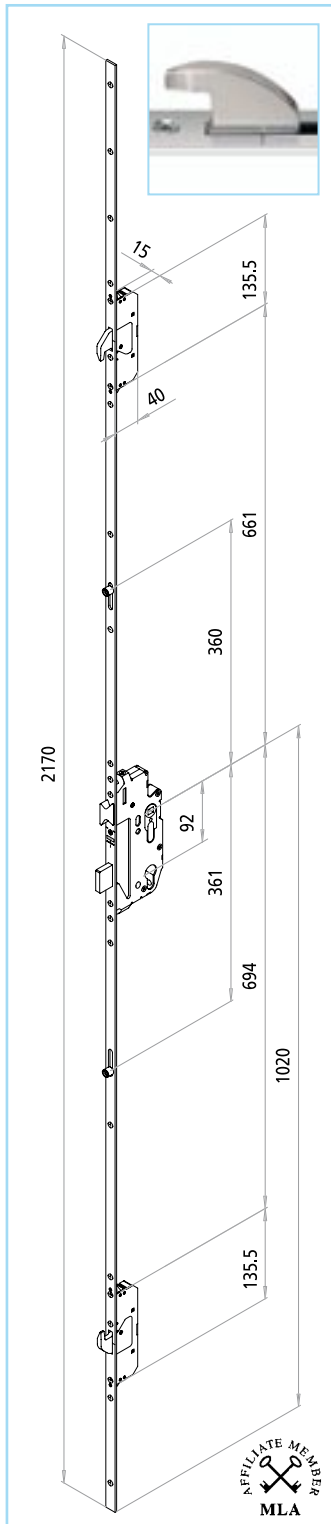
10 Year Guarantee



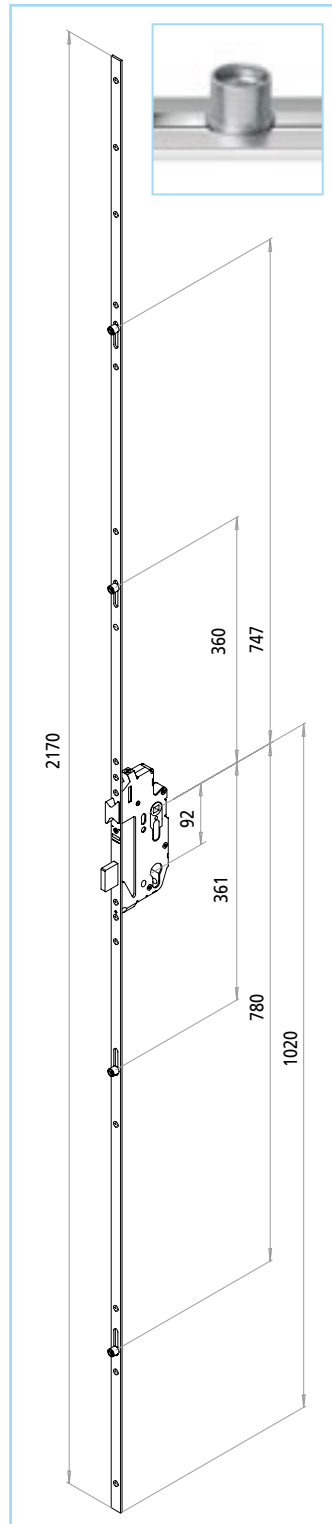
- Key operated one-piece locking system
- MLA approved
- All locking points thrown and secured by key
- "FUHR Silver" protective finish



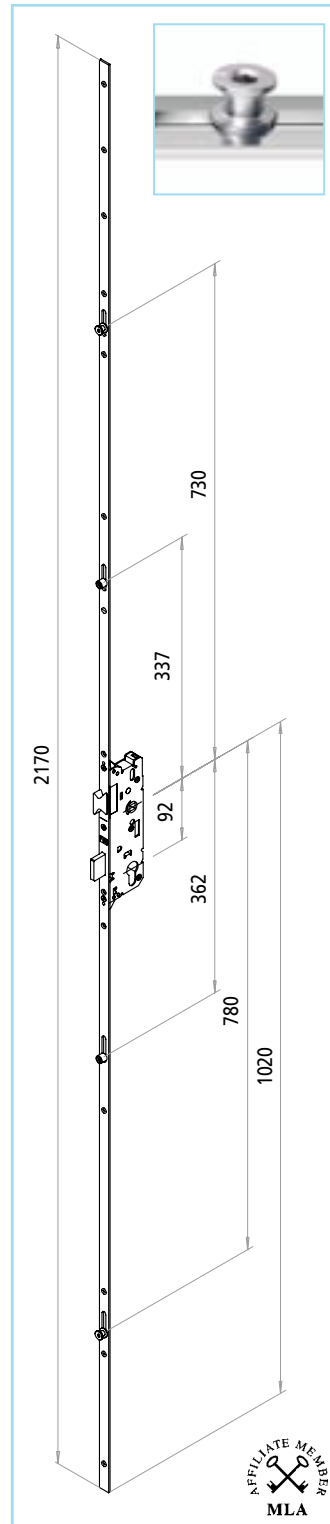
Type 3



Type 1



Type 2



Type 8

